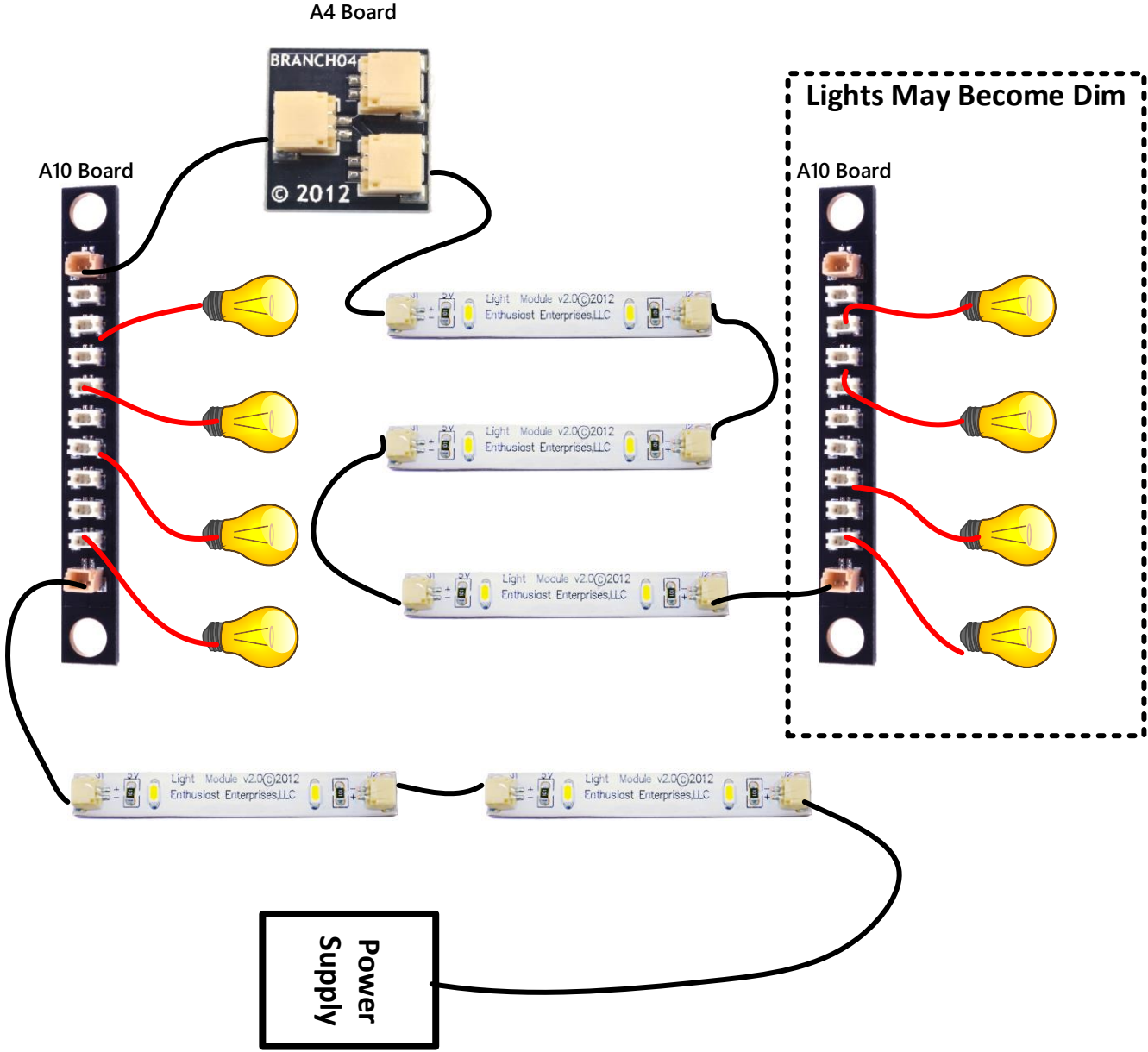
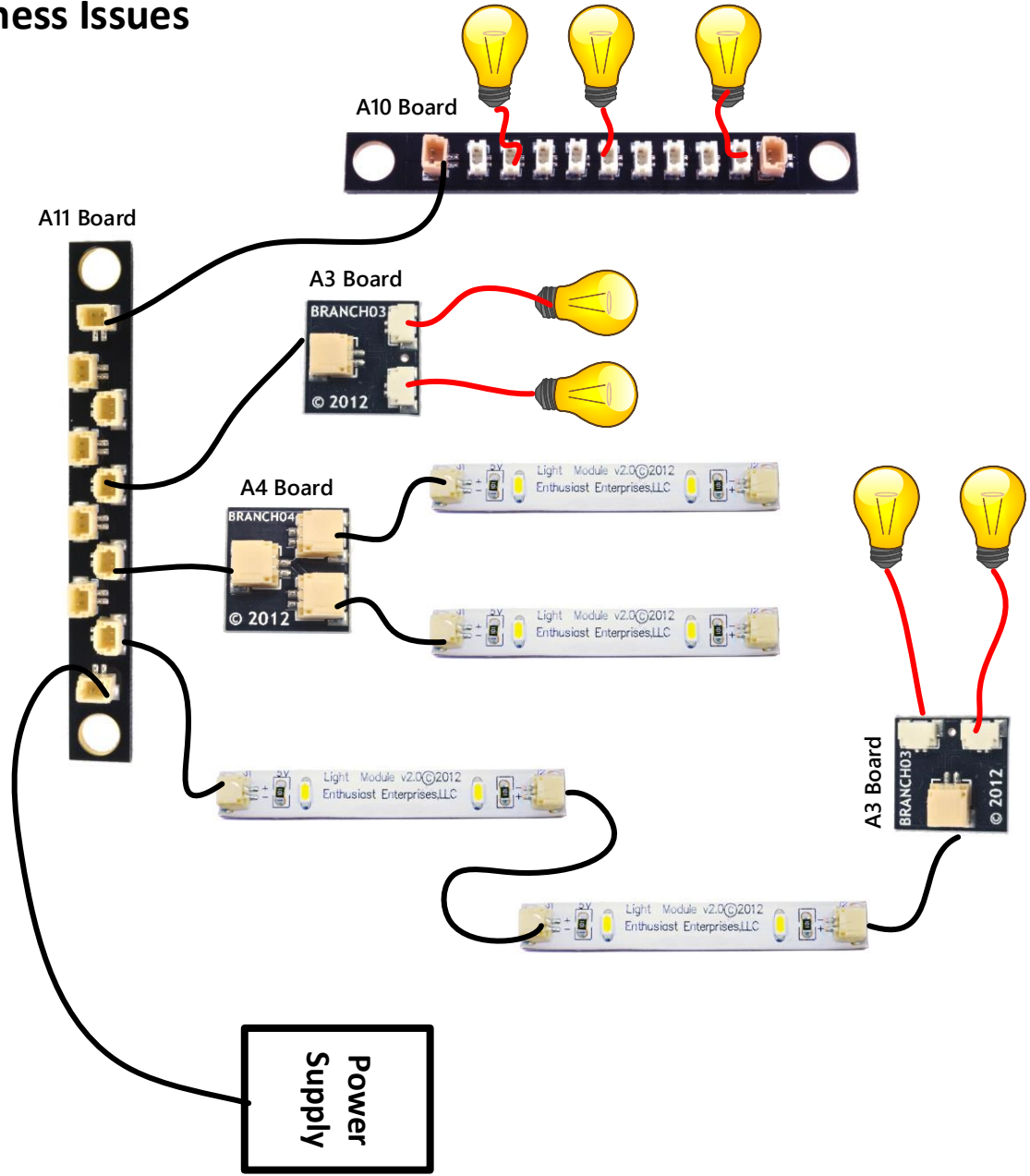


Troubleshooting Brightness Issues



Issue: Too Many Lights Connected in Series (end lights are dim)



Resolution: Multiple Branches for Even Power Distribution